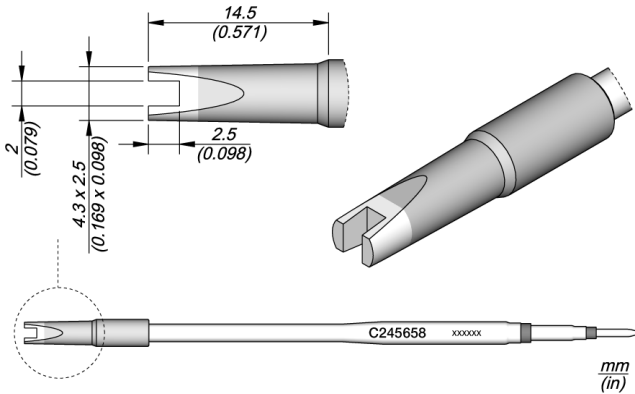


Chip Cartridge 2 L



These cartridges are **20mm longer for easier access to difficult-to-reach joints.**

These cartridges are specially designed for desoldering SMD chip components.

C245 Cartridge Range is the widest with many shapes, sizes and special models. The cartridges work with T245 General Purpose Handle.

JBC Long Life Tips offer instant heating, excellent heat transfer and great durability.

They last 5 times longer than other brands thanks to JBC Most Efficient Soldering System and Sleep & Hibernation features.

REFERENCE

C245658

SPECIFICATIONS

Net weight 0,009 kg (0.02lb)

WEIGHT AND DIMENSIONS

9 gr (0.02 lb)

10 gr (0.02 lb)

130 x 45 x 12 mm

Copyright © 2023 JBC Soldering S.L. | [Legal Notice](#) | [Privacy Policy](#) | [Terms and Conditions](#) | [Cookie policy](#) | [RSS Feed](#) | [JBC Store](#) | [Contact Us](#)

CONNECTABLES

Compatible tools



T245-A

General Purpose Handle



T245-PA

Blue Grip General Purpose Handle



T245-NA

Nitrogen General Purpose Handle