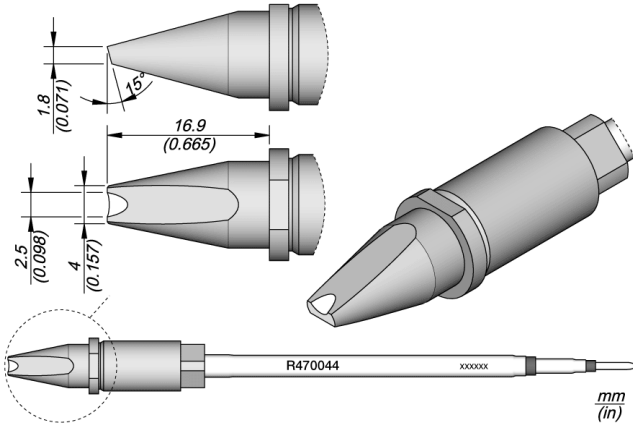


# JBC R470044

## Grooved Chisel Cartridge 4 x 1.8



This cartridge is designed for the use in **Automated and Heavy-Duty Soldering Processes**.

**The groove in the cartridge allows easy access of the dispensed tin to the solder joint.**

The new design **features a square cross-section** that perfectly centers the cartridge in the soldering iron and **ensures accurate vertical positioning**. In addition, the cartridge can be **placed/used in 4 different positions, which can be changed in steps of 90°**.

R470044 fits TR470 Heavy Duty Soldering Tool and TRA470 Automatic Heavy Duty Soldering Tool.

JBC also offers the possibility to manufacture your special tip geometry. Do not hesitate to ask us on [customtips@jbctools.com](mailto:customtips@jbctools.com).

### REFERENCE

R470044

### SPECIFICATIONS

Net weight 0,02 kg (0.04lb)

#### WEIGHT AND DIMENSIONS

Package 183 x 60 x 34 mm / 0.03 kg.

7.20 x 2.36 x 1.34 in / 0.06 lb.

Copyright © 2023 JBC Soldering S.L. | [Legal Notice](#) | [Privacy Policy](#) | [Terms and Conditions](#) | [Cookie policy](#) | [RSS Feed](#) | [JBC Store](#) | [Contact Us](#)

### CONNECTABLES



TRA470-B

Automatic Heavy Duty Soldering Tool for Robot



TR470-B

Heavy Duty Soldering Tool for Robot