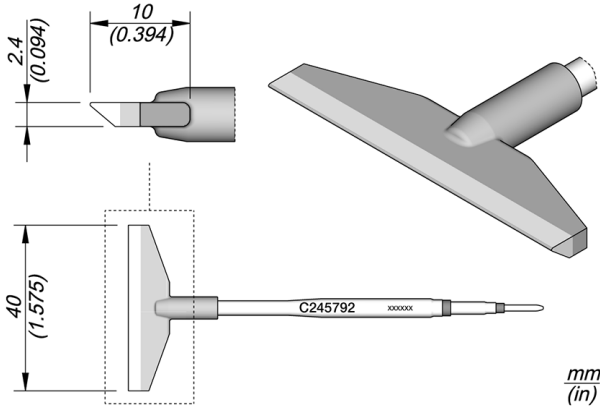


Blade Cartridge 40



This cartridge has a 40 mm wide blade tip which allows you to desolder large pin rows (e.g. up to 10 pins for a common application).

It is appropriate for general soldering or rework purposes and they are perfect for both SMD components or for applications with high power requirements such as ground plane soldering.

It works with T245 Handpieces.

JBC Long Life Tips offer instant heat up, excellent heat transfer and great durability.

They last 5 times longer than other brands thanks to the JBC Most Efficient Soldering System and the Sleep & Hibernation features.

REFERENCE

C245792

SPECIFICATIONS

Net weight 0,01 kg (0.03lb)

WEIGHT AND DIMENSIONS

13 gr (0.03 lb)

24 gr (0.05 lb)

110 x 12 x 12 mm

Copyright © 2023 JBC Soldering S.L. | [Legal Notice](#) | [Privacy Policy](#) | [Terms and Conditions](#) | [Cookie policy](#) | [RSS Feed](#) | [JBC Store](#) | [Contact Us](#)

CONNECTABLES

Compatible tools



T245-A

General Purpose Handle



T245-PA

Blue Grip General Purpose Handle



T245-NA

Nitrogen General Purpose Handle