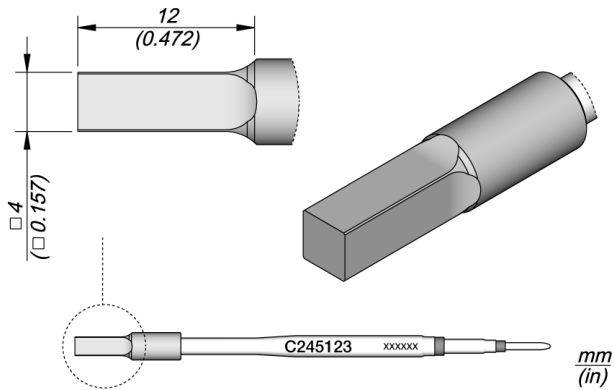


## Heat Staking Cartridge 4 x 4

CHROME FINISH, DESIGNED FOR USE ON PLASTIC RIVETS



Special cartridge designed for plastics rivets.

C245 cartridge range is the widest one of JBC with many shapes, sizes and special models.

They work with T245 Handpieces.

JBC Long Life Tips offer instant heat up, excellent heat transfer and great durability.

They last **5 times longer** than other brands thanks to the JBC Most Efficient Soldering System and the Sleep & Hibernation features.

### REFERENCE

C245123

### SPECIFICATIONS

Net weight 0,009 kg (0.02lb)

#### WEIGHT AND DIMENSIONS

Package 110 x 12 x 12 mm / 0.02 kg.  
4.33 x 0.47 x 0.47 in / 0.05 lb.

Copyright © 2023 JBC Soldering S.L. | [Legal Notice](#) | [Privacy Policy](#) | [Terms and Conditions](#) | [Cookie policy](#) | [RSS Feed](#) | [JBC Store](#) | [Contact Us](#)

## CONNECTABLES

### Compatible tools



T245-A

General Purpose Handle



T245-PA

Blue Grip General Purpose Handle



T245-NA

Nitrogen General Purpose Handle