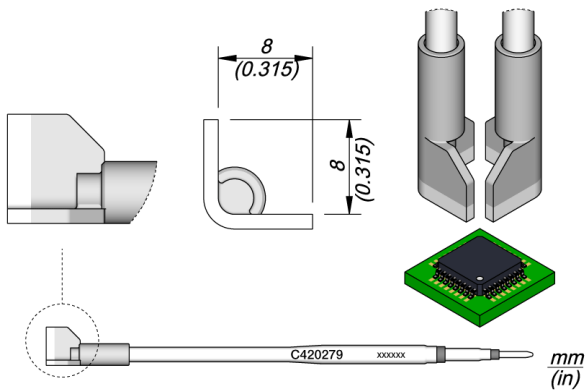


JBC C420279

QFP Cartridge 8



These cartridges are specially appropriate for desoldering QFP and PLCC.

C420 cartridges are appropriate for soldering and desoldering SMD components, reducing handling time.

This range works with Thermal Tweezers which enables aligning cartridges and user needs.

JBC Long Life Tips offer instant heat up, excellent heat transfer and great durability.

They last 5 times longer than other brands thanks to the JBC Most Efficient Soldering System and the Sleep & Hibernation features.

Cartridges are sold individually

REFERENCE

C420279

SPECIFICATIONS

Net weight 0,009 kg (0.02lb)

WEIGHT AND DIMENSIONS

Package 170 x 28 x 20 mm / 0.01 kg.

6.69 x 1.10 x 0.79 in / 0.03 lb

Copyright © 2023 JBC Soldering S.L. | [Legal Notice](#) | [Privacy Policy](#) | [Terms and Conditions](#) | [Cookie policy](#) | [RSS Feed](#) | [JBC Store](#) | [Contact Us](#)

CONNECTABLES

Compatible tools



HT420-A

Thermal Tweezers



AT420-A

Adjustable Thermal Tweezers