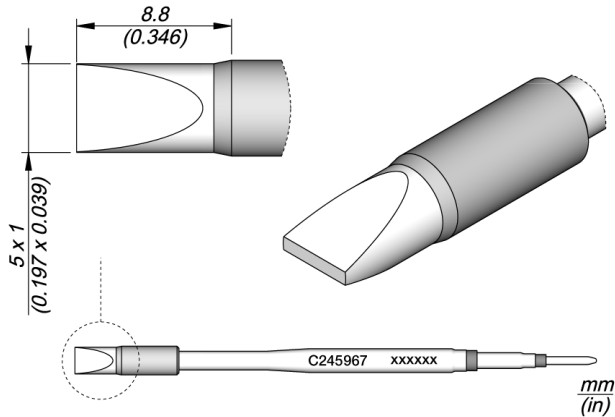


## Chisel Cartridge 5 x 1 HT



High thermal cartridges have geometrically optimized tips to achieve thermal efficiencies of up to 40%.

C245 Cartridges are appropriate for general soldering purposes and work with T245 Handpieces.

JBC Long Life Tips offer instant heat up, excellent heat transfer and great durability.

They last 5 times longer than other brands thanks to the JBC Most Efficient Soldering System and the Sleep & Hibernation features.

### REFERENCE

C245967

### SPECIFICATIONS

Net weight 0,008 kg (0.02lb)

#### WEIGHT AND DIMENSIONS

8 gr (0.02 lb)

21 gr (0.05 lb)

110 x 12 x 12 mm

Copyright © 2023 JBC Soldering S.L. | [Legal Notice](#) | [Privacy Policy](#) | [Terms and Conditions](#) | [Cookie policy](#) | [RSS Feed](#) | [JBC Store](#) | [Contact Us](#)

## CONNECTABLES

### Compatible tools



T245-A

General Purpose Handle



T245-PA

Blue Grip General Purpose Handle



T245-NA

Nitrogen General Purpose Handle