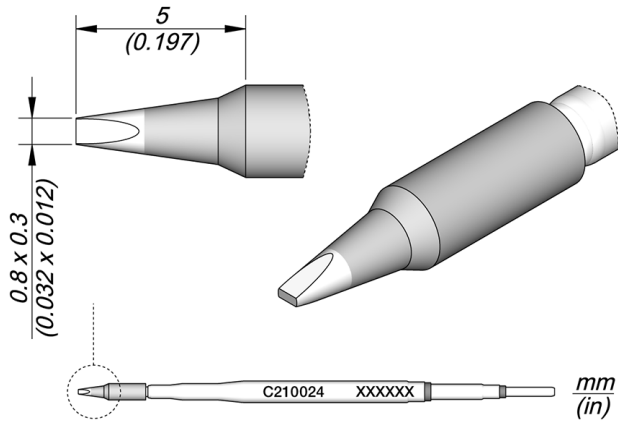


Chisel Cartridge 0.8 x 0.3



It has a screwdriver shape and is perfect for soldering chip components of size 0603.

C210 cartridges are appropriate for precision soldering jobs with medium power requirements.

Due to the size, this range is perfect to work with SMD, under a microscope, or with conventional components.

They work with T210 Precision Purpose Handles.

REFERENCE

C210024

SPECIFICATIONS

Net weight 0,002 kg (0.00lb)

WEIGHT AND DIMENSIONS

Package 110 x 12 x 12 mm / 0.02 kg.
4.33 x 0.47 x 0.47 in / 0.03 lb

Copyright © 2023 JBC Soldering S.L. | [Legal Notice](#) | [Privacy Policy](#) | [Terms and Conditions](#) | [Cookie policy](#) | [RSS Feed](#) | [JBC Store](#) | [Contact Us](#)

CONNECTABLES

Compatible tools



T210-A

Precision Handle



T210-PA

Blue Grip Precision Handle