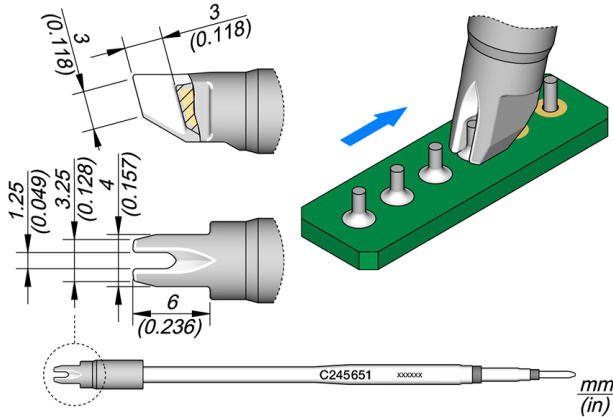


## Drag Cartridge 1.25 L



Special cartridge for through hole drag soldering.

This cartridge is 20mm longer than the [C245751](#).

C245 cartridge range is the widest one of JBC with many shapes, sizes and special models.

They are appropriate for **Through-Hole drag soldering components** or for applications with high power requirements such as ground plane soldering.

They work with [T245](#) Handpieces.

[JBC Long Life Tips](#) offer instant heat up, excellent heat transfer and great durability.

They last **5 times longer** than other brands thanks to the JBC Most Efficient Soldering System and the Sleep & Hibernation features.

### REFERENCE

C245651

### SPECIFICATIONS

Net weight 0,01 kg (0.02lb)

#### WEIGHT AND DIMENSIONS

11 gr (0.02 lb)

15 gr (0.03 lb)

110 x 12 x 12 mm

Copyright © 2023 JBC Soldering S.L. | [Legal Notice](#) | [Privacy Policy](#) | [Terms and Conditions](#) | [Cookie policy](#) | [RSS Feed](#) | [JBC Store](#) | [Contact Us](#)

## CONNECTABLES

### Compatible tools



T245-A

General Purpose Handle



T245-PA

Blue Grip General Purpose Handle



T245-NA

Nitrogen General Purpose Handle