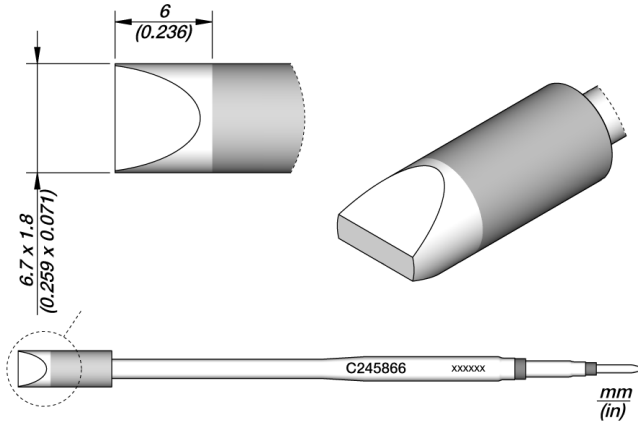


## Chisel Cartridge 6.6 x 1.8 HT L



These cartridges are equal to the [C245966](#) but 20mm longer for obtaining an easier access to difficult-to-reach joints.

High thermal cartridges have geometrically optimized tips to achieve thermal efficiencies of up to 40%.

C245 cartridge range is the widest one of JBC with many shapes, sizes and special models.

They work with [T245](#) Handpieces. They are appropriate for general soldering purposes and they are perfect for both SMD components or for applications with high power requirements such as ground plane soldering.

[JBC Long Life Tips](#) offer instant heat up, excellent heat transfer and great durability.

They last **5 times longer** than other brands thanks to the JBC Most Efficient Soldering System and the Sleep & Hibernation features.

### REFERENCE

C245866

### SPECIFICATIONS

Net weight 0,008 kg (0.02lb)

#### WEIGHT AND DIMENSIONS

8 gr (0.02 lb)

11 gr (0.03 lb)

110 x 12 x 12 mm

## CONNECTABLES

### Compatible tools



T245-A

General Purpose Handle



T245-PA

Blue Grip General Purpose Handle



T245-NA

Nitrogen General Purpose Handle