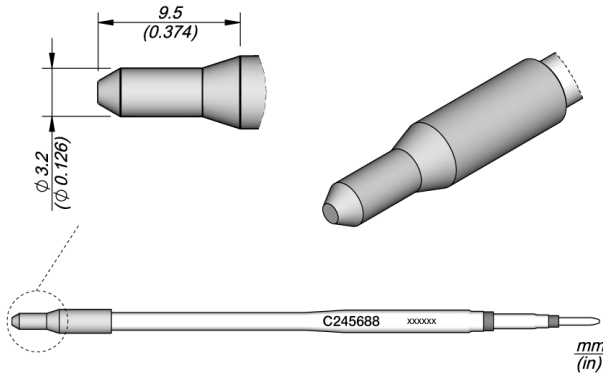


Heat Staking Cartridge Ø 3.2



C245688 is specially designed to be used in plastic applications.

C245 cartridge range is the widest one of JBC with many shapes, sizes and special models.

They work with T245 Handpieces.

JBC Long Life Tips offer instant heat up, excellent heat transfer and great durability.

They last 5 times longer than other brands thanks to the JBC Most Efficient Soldering System and the Sleep & Hibernation features.

REFERENCE

C245688

SPECIFICATIONS

Net weight 0,008 kg (0.02lb)

WEIGHT AND DIMENSIONS

8 gr (0.02 lb)

11 gr (0.03 lb)

110 x 12 x 12 mm

Copyright © 2023 JBC Soldering S.L. | [Legal Notice](#) | [Privacy Policy](#) | [Terms and Conditions](#) | [Cookie policy](#) | [RSS Feed](#) | [JBC Store](#) | [Contact Us](#)

CONNECTABLES

Compatible tools



T245-A

General Purpose Handle



T245-PA

Blue Grip General Purpose Handle



T245-NA

Nitrogen General Purpose Handle