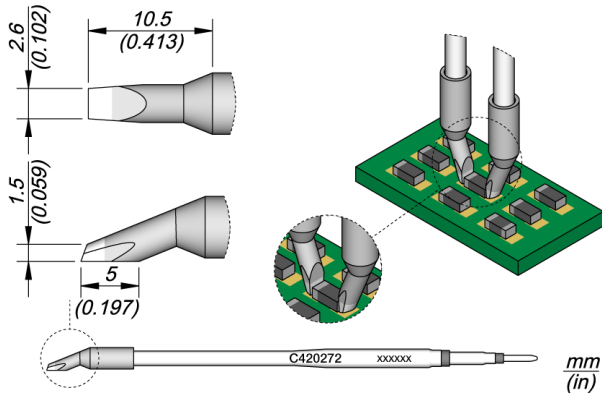


# JBC C420272

## Chip Cartridge 2.6



These cartridges are specially appropriate for desoldering chip components.

C420 cartridges are appropriate for soldering and desoldering SMD components, reducing handling time.

This range works with Thermal Tweezers which enables aligning cartridges and user needs.

JBC Long Life Tips offer instant heat up, excellent heat transfer and great durability.

They last 5 times longer than other brands thanks to the JBC Most Efficient Soldering System and the Sleep & Hibernation features.

**Cartridges are sold individually**

### REFERENCE

C420272

### SPECIFICATIONS

Net weight 0,008 kg (0.02lb)

#### WEIGHT AND DIMENSIONS

8 gr (0.02 lb)

12 gr (0.03 lb)

170 x 28 x 20 mm

Copyright © 2023 JBC Soldering S.L. | [Legal Notice](#) | [Privacy Policy](#) | [Terms and Conditions](#) | [Cookie policy](#) | [RSS Feed](#) | [JBC Store](#) | [Contact Us](#)

## CONNECTABLES

### Compatible tools



HT420-A

Thermal Tweezers



AT420-A

Adjustable Thermal Tweezers