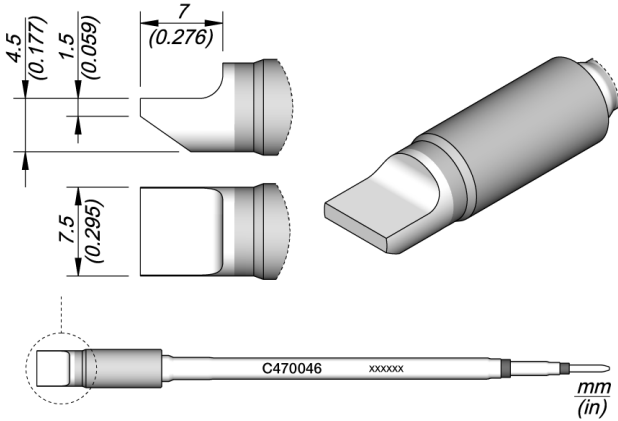


Blade Cartridge 7.5



This cartridge is specially appropriate for soldering cables and connectors.

It works with the [HT470](#) HD Thermal Tweezers, which reduces handling time, and is also compatible with [T470](#) HD Handles.

C470 cartridges are perfect for intensive soldering purposes such as SMDs or applications with high power requirements.

[JBC Long Life Tips](#) offer instant heat up, excellent heat transfer and great durability.

They last **5 times longer** than other brands thanks to the JBC Most Efficient Soldering System and the Sleep & Hibernation features.

REFERENCE

C470046

SPECIFICATIONS

Net weight 0,02 kg (0.04lb)

WEIGHT AND DIMENSIONS

Package 183 x 60 x 34 mm / 0.03 kg.

7.20 x 2.36 x 1.34 in / 0.06 lb

Copyright © 2023 JBC Soldering S.L. | [Legal Notice](#) | [Privacy Policy](#) | [Terms and Conditions](#) | [Cookie policy](#) | [RSS Feed](#) | [JBC Store](#) | [Contact Us](#)

CONNECTABLES

Compatible tools



T470-A

Heavy Duty Handle



T470-SA

Heavy Duty Handle with 3m cable



T470-ZA

Tri-lobed Grip HD Handle for better handling



T470-FA

Thermal Insulator Grip Heavy Duty Handle