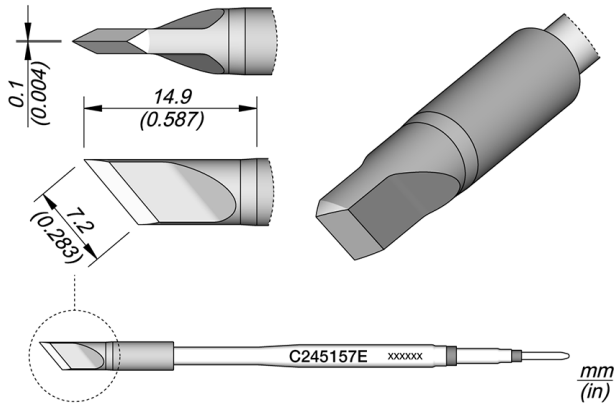


Knife Cartridge 7.2 x 0.1



C245E Cartridges have been designed with a thicker iron layer what makes this tip ideal for tough and repetitive works in mass production. A thicker iron layer reduces the thermal efficiency.

They are appropriate for general soldering purposes and they are perfect for both SMD components or for applications with high power requirements such as ground plane soldering.

They work with T245 Handles.

They last 5 times longer than other brands thanks to the JBC Most Efficient Soldering System and the Sleep & Hibernation features.

REFERENCE

C245157E

SPECIFICATIONS

Net weight 0,008 kg (0.02lb)

WEIGHT AND DIMENSIONS

8 gr (0.02 lb)

11 gr (0.03 lb)

110 x 12 x 12 mm

CONNECTABLES

Compatible tools



T245-A

General Purpose Handle



T245-PA

Blue Grip General Purpose Handle



T245-NA

Nitrogen General Purpose Handle