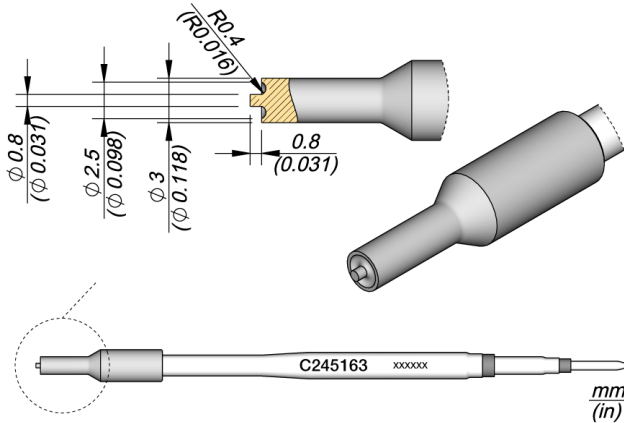


Hollow Heat Staking Cartridge Ø 2.5



C245163 is a special cartridge with chrome finish for plastic rivets.

C245 Cartridge Range is the widest with many shapes, sizes and special models. The cartridges work with T245 General Purpose Handle.

JBC Long Life Tips offer instant heating, excellent heat transfer and great durability.

They last 5 times longer than other brands thanks to JBC Most Efficient Soldering System and Sleep & Hibernation features.

REFERENCE

C245163

SPECIFICATIONS

Net weight 0,007 kg (0.02lb)

WEIGHT AND DIMENSIONS

7 gr (0.02 lb)

20 gr (0.04 lb)

130 x 45 x 12 mm

Copyright © 2023 JBC Soldering S.L. | [Legal Notice](#) | [Privacy Policy](#) | [Terms and Conditions](#) | [Cookie policy](#) | [RSS Feed](#) | [JBC Store](#) | [Contact Us](#)

CONNECTABLES

Compatible tools



T245-A

General Purpose Handle



T245-PA

Blue Grip General Purpose Handle



T245-NA

Nitrogen General Purpose Handle