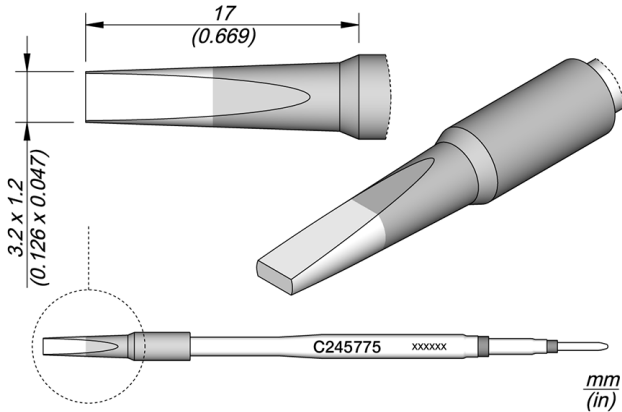


Chisel Cartridge 3.2 x 1.2



This cartridge has a 7 mm longer chisel tip than the [C245911](#) model for easier access in difficult-to-reach solder joints.

C245 cartridges are appropriate for general purposes and are perfect for both SMDs or applications with high power requirements.

They work with [T245](#) Soldering Iron Handles.

The JBC [Long Life Tips](#) offer instant heat up, excellent heat transfer and great durability.

They last [5 times longer](#) than other brands thanks to the [Exclusive Heating System](#) and the [Sleep & Hibernation](#) features.

REFERENCE

C245775

SPECIFICATIONS

Net weight 0,008 kg (0.02lb)

WEIGHT AND DIMENSIONS

8 gr (0.02 lb)

21 gr (0.05 lb)

110 x 12 x 12 mm

Copyright © 2023 JBC Soldering S.L. | [Legal Notice](#) | [Privacy Policy](#) | [Terms and Conditions](#) | [Cookie policy](#) | [RSS Feed](#) | [JBC Store](#) | [Contact Us](#)

CONNECTABLES

Compatible tools



T245-A

General Purpose Handle



T245-PA

Blue Grip General Purpose Handle



T245-NA

Nitrogen General Purpose Handle