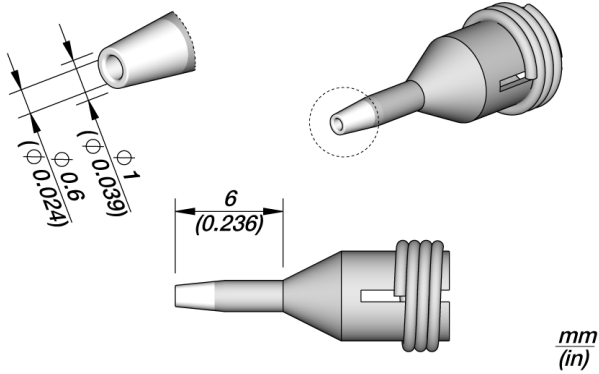


Through-hole Desoldering Tip Ø 0.6



JBC Tools C360001 desoldering tip cartridges have been specially designed to work with DS360 Micro Desoldering Iron.

C360001 cartridges offer instant heat up, excellent heat transfer and great durability.

Supplied in boxes of 10 units

REFERENCE

C360001

SPECIFICATIONS

Net weight 0,001 kg (0.001lb)

WEIGHT AND DIMENSIONS

Package 60 x 35 x 35 mm / 0.00 kg.
2.36 x 1.38 x 1.38 in / 0.00 lb

Copyright © 2023 JBC Soldering S.L. | [Legal Notice](#) | [Privacy Policy](#) | [Terms and Conditions](#) | [Cookie policy](#) | [RSS Feed](#) | [JBC Store](#) | [Contact Us](#)

CONNECTABLES

Compatible tools



DS360-A

Micro Desoldering Iron