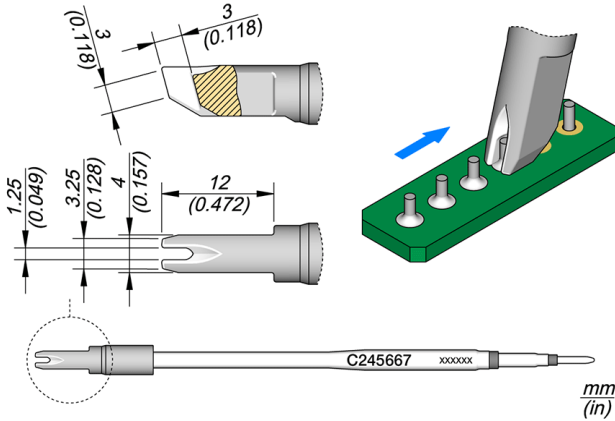


## Drag Soldering Cartridge 1.25 L



Special cartridge for through hole drag soldering.

It is a 12mm length version of the cartridge [C245751](#) for high profile components.

They are appropriate for **Through-Hole drag soldering components** or for applications with high power requirements such as ground plane soldering.

They work with [T245](#) Handpieces.

[JBC Long Life Tips](#) offer instant heat up, excellent heat transfer and great durability.

They last **5 times longer** than other brands thanks to the JBC Most Efficient Soldering System and the Sleep & Hibernation features.

### REFERENCE

C245667

### SPECIFICATIONS

Net weight 0,01 kg (0.02lb)

#### WEIGHT AND DIMENSIONS

11 gr (0.02 lb)

18 gr (0.04 lb)

110 x 12 x 12 mm

## CONNECTABLES

### Compatible tools



T245-A

General Purpose Handle



T245-PA

Blue Grip General Purpose Handle



T245-NA

Nitrogen General Purpose Handle