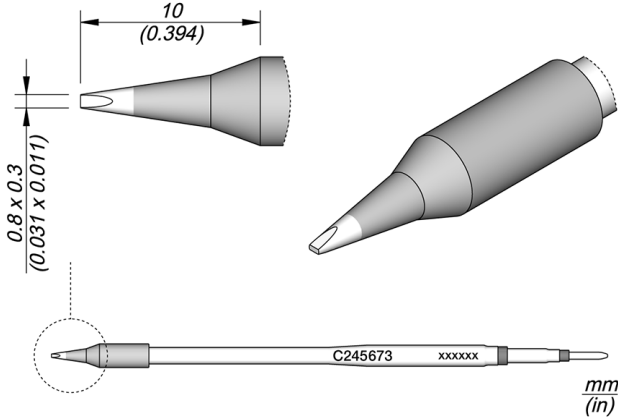


Chisel Cartridge 0.8 x 0.3 L



This is the 20mm length version of the C245773 cartridge which provides easier access to difficult-to-reach joints.

High thermal cartridges are characterised by their optimized tip geometries which achieve thermal efficiencies of up to 40%.

C245 Cartridges are appropriate for general soldering purposes and work with T245 Handpieces.

JBC Long Life Tips offer instant heat up, excellent heat transfer and great durability.

They last 5 times longer than other brands thanks to the JBC Most Efficient Soldering System and the Sleep & Hibernation features.

REFERENCE

C245673

SPECIFICATIONS

Net weight 0,008 kg (0.02lb)

WEIGHT AND DIMENSIONS

8 gr (0.02 lb)

11 gr (0.03 lb)

110 x 12 x 12 mm

CONNECTABLES

Compatible tools



T245-A

General Purpose Handle



T245-PA

Blue Grip General Purpose Handle



T245-NA

Nitrogen General Purpose Handle