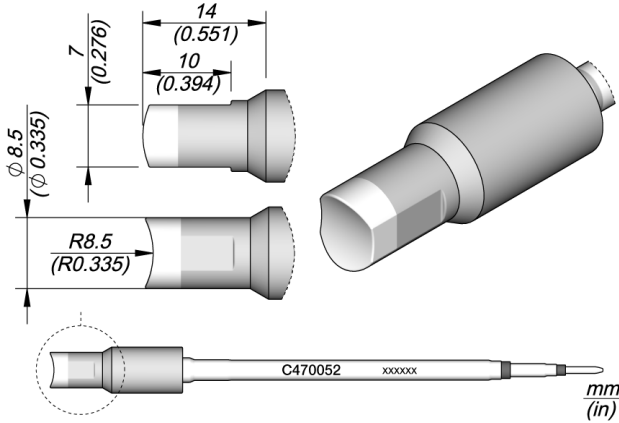


Round Connector Cartridge R 8.5



This cartridge is similar to the C470010 and is perfect for soldering cylindrical parts of a diameter not exceeding 17 mm.

It also has a large tinned area for superior heat transfer.

Due to the size, C470 are appropriate for intensive soldering with both SMD and applications with high power requirements.

They work with T470 Heavy Duty Handles.

JBC Long Life Tips offer instant heat up, excellent heat transfer and great durability.

They last 5 times longer than other brands thanks to the Exclusive Heating System and the Sleep & Hibernation features.

REFERENCE

C470052

SPECIFICATIONS

Net weight 0,03 kg (0.06lb)

WEIGHT AND DIMENSIONS

25 gr (0.06 lb)

35 gr (0.08 lb)

122 x 60 x 34 mm

CONNECTABLES

Compatible tools



T470-A

Heavy Duty Handle



T470-SA

Heavy Duty Handle with 3m cable



T470-ZA

Tri-lobed Grip HD Handle for better handling



T470-FA

Thermal Insulator Grip Heavy Duty Handle