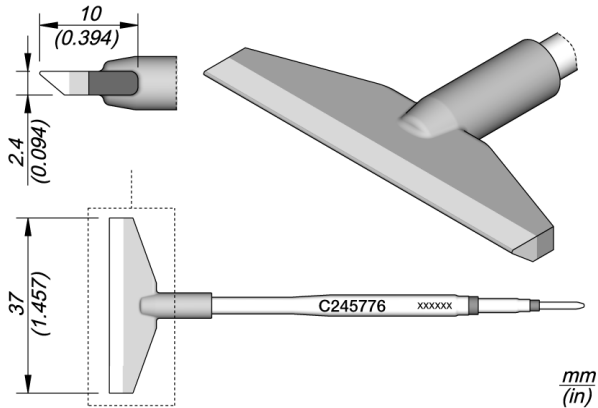


Blade Cartridge 37



This cartridge has a 37 mm wide blade tip which allows you to desolder large pin rows (e.g. up to 10 pins for a common application).

It is appropriate for general soldering or rework purposes and they are perfect for both SMD components or for applications with high power requirements such as ground plane soldering.

It works with [T245](#) Handpieces.

[JBC Long Life Tips](#) offer instant heat up, excellent heat transfer and great durability.

They last **5 times longer** than other brands thanks to the JBC Most Efficient Soldering System and the Sleep & Hibernation features.

REFERENCE

C245776

SPECIFICATIONS

Net weight 0,01 kg (0.03lb)

WEIGHT AND DIMENSIONS

12 gr (0.03 lb)

19 gr (0.04 lb)

110 x 12 x 12 mm

CONNECTABLES

Compatible tools



T245-A

General Purpose Handle



T245-PA

Blue Grip General Purpose Handle



T245-NA

Nitrogen General Purpose Handle