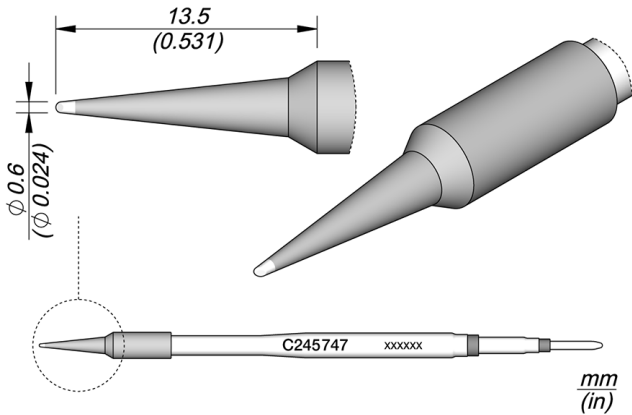


Bevel Cartridge Ø 0.6



This cartridge has the smallest bevel tip of its range. It is similar to a conical shape but slightly flat at the end.

Their 0.6 mm diameter and the 13.5 mm length provide high precision and allow users to reach difficult areas between components.

C245 cartridge range is the widest one of JBC with many shapes, sizes and special models. They work with [T245](#) Handpieces.

They are appropriate for general soldering purposes and they are perfect for both SMD components or for applications with high power requirements such as ground plane soldering.

[JBC Long Life Tips](#) offer instant heat up, excellent heat transfer and great durability. They last **5 times longer** than other brands thanks to the JBC Most Efficient Soldering System and the Sleep & Hibernation features.

REFERENCE

C245747

SPECIFICATIONS

Net weight 0,006 kg (0.011lb)

WEIGHT AND DIMENSIONS

6 gr (0.01 lb)

19 gr (0.04 lb)

110 x 12 x 12 mm

CONNECTABLES

Compatible tools



T245-A

General Purpose Handle



T245-PA

Blue Grip General Purpose Handle



T245-NA

Nitrogen General Purpose Handle