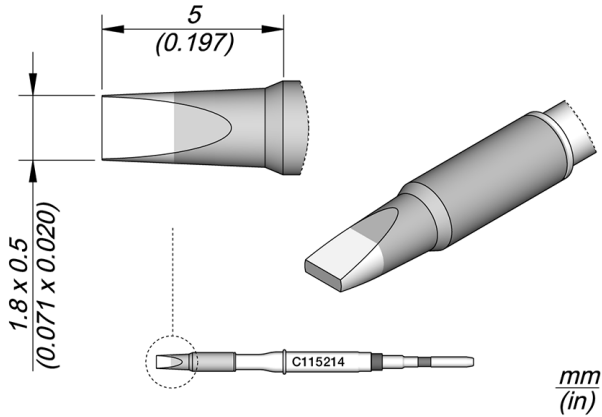


## Chisel Cartridge 1.8 x 0.5 HT



High thermal cartridges are characterised by their optimized tip geometries which achieve improved thermal efficiencies.

C115 cartridges are appropriate for soldering and repairing very small-sized components at high precision, even under a microscope.

They work with NT115, NP115 and AN115 Nano Soldering Tools and comply with the most demanding regulations.

JBC Long Life Tips offer instant heat up, excellent heat transfer and great durability.

They last 5 times longer than other brands thanks to the JBC Most Efficient Soldering System and the Sleep & Hibernation features.

### REFERENCE

C115214

### SPECIFICATIONS

Net weight 0,001 kg (0.00lb)

#### WEIGHT AND DIMENSIONS

1 gr (0.00 lb)

5 gr (0.01 lb)

106 x 45 x 12 mm

## CONNECTABLES

### Compatible tools



NP115-A

Nano Tweezers



AN115-A

Adjustable Nano Tweezers



NT115-A

Nano Handle