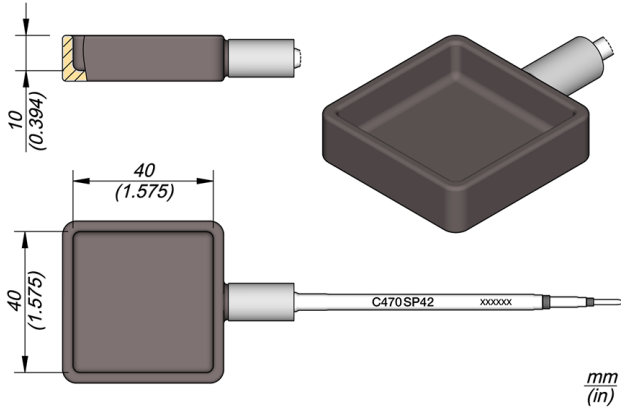


# JBC C470-SP42

## Solder Pot Cartridge 40 x 40



This model is ideal for tinning wires and components faster and safer.

This cartridge can be used also to desolder Through Hole Multipin components.

The long-lasting coating pot will resist the corrosiveness of lead free solder alloys.

It works with T470 handles, which can be connected to HDE station through HD-SD stand or CHB-A converter.

It should be employed with the CT-SA Solder Pot Cartridge Stand, which avoids tipping over accidentally and allows you to work safely.

### REFERENCE

C470-SP42

### SPECIFICATIONS

Net weight 0,02 kg (0.04lb)

#### WEIGHT AND DIMENSIONS

18 gr (0.04 lb)

28 gr (0.06 lb)

123 x 60 x 34 mm

---

## CONNECTABLES

### Compatible tools



T470-A

Heavy Duty Handle



T470-SA

Heavy Duty Handle with 3m cable



T470-ZA

Tri-lobed Grip HD Handle for better handling



T470-FA

Thermal Insulator Grip Heavy Duty Handle

### Stands



CT-SA

Solder Pot Stand