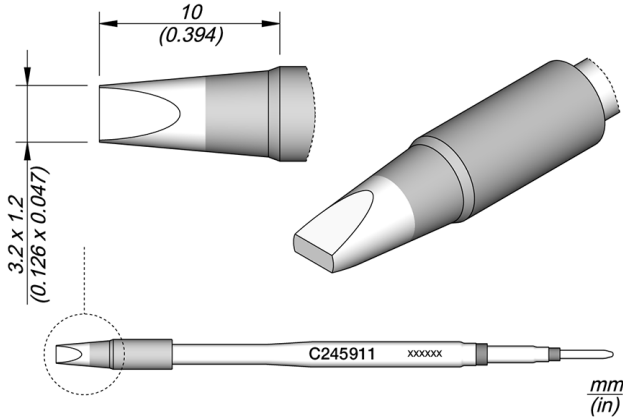


# JBC C245911

## Chisel Cartridge 3.2 x 1.2



This is a screwdriver shaped cartridge with a wide tinned area.

It is considered a high thermal model since the optimized tip geometry achieves thermal efficiencies of up to 40%.

C245 cartridges are appropriate for general soldering purposes and they are perfect for both SMD components or applications with high power requirements such as ground plane soldering.

They work with T245 Handles.

JBC Long Life Tips offer instant heat up, excellent heat transfer and great durability.

They last 5 times longer than other brands thanks to the JBC Most Efficient Soldering System and the Sleep & Hibernation features.

### REFERENCE

C245911

### SPECIFICATIONS

Net weight 0,009 kg (0.02lb)

#### WEIGHT AND DIMENSIONS

9 gr (0.02 lb)

12 gr (0.03 lb)

110 x 12 x 12 mm

Copyright © 2023 JBC Soldering S.L. | [Legal Notice](#) | [Privacy Policy](#) | [Terms and Conditions](#) | [Cookie policy](#) | [RSS Feed](#) | [JBC Store](#) | [Contact Us](#)

## CONNECTABLES

### Compatible tools



T245-A

General Purpose Handle



T245-PA

Blue Grip General Purpose Handle



T245-NA

Nitrogen General Purpose Handle