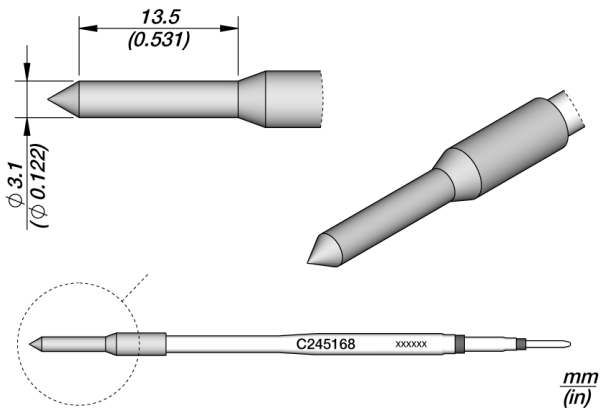


Plastic Thermal Hole Punch Cartridge Ø 3.1



C245168 is a special cartridge with chrome finish for making plastic holes.

C245 Cartridge Range is the widest with many shapes, sizes and special models. The cartridges work with T245 General Purpose Handle.

JBC Long Life Tips offer instant heating, excellent heat transfer and great durability.

They last 5 times longer than other brands thanks to JBC Most Efficient Soldering System and Sleep & Hibernation features.

REFERENCE

C245168

SPECIFICATIONS

Net weight 0,008 kg (0.02lb)

WEIGHT AND DIMENSIONS

8 gr (0.02 lb)

15 gr (0.03 lb)

110 x 12 x 12 mm

Copyright © 2023 JBC Soldering S.L. | [Legal Notice](#) | [Privacy Policy](#) | [Terms and Conditions](#) | [Cookie policy](#) | [RSS Feed](#) | [JBC Store](#) | [Contact Us](#)

CONNECTABLES

Compatible tools



T245-A

General Purpose Handle



T245-PA

Blue Grip General Purpose Handle



T245-NA

Nitrogen General Purpose Handle